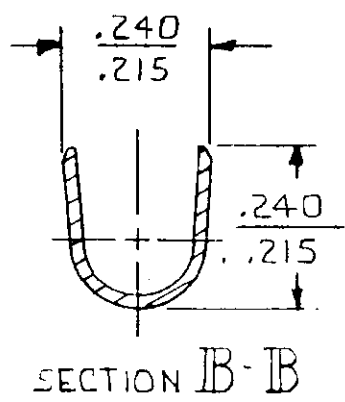
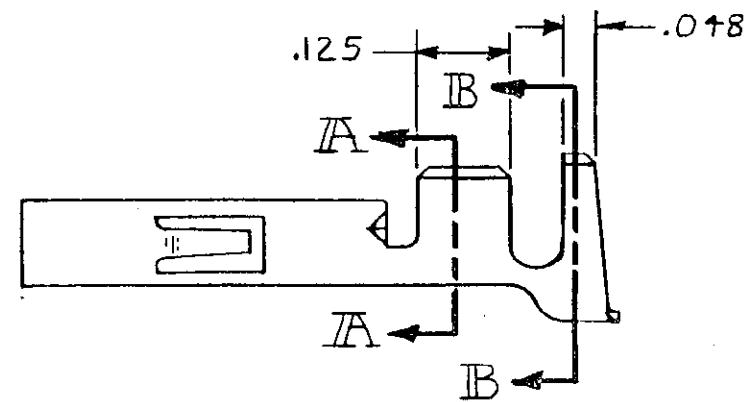
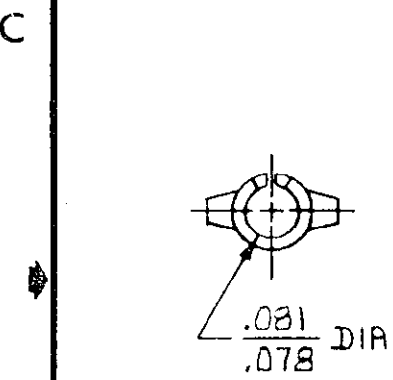
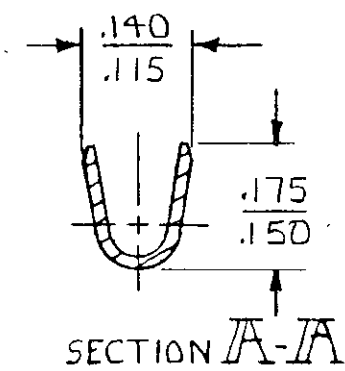
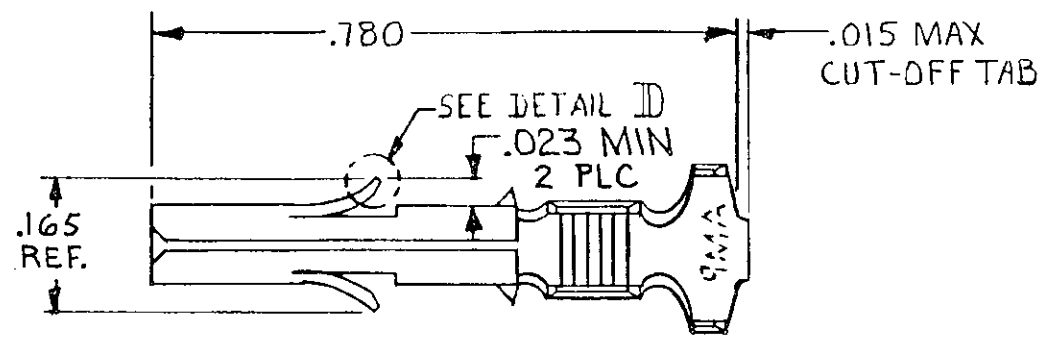
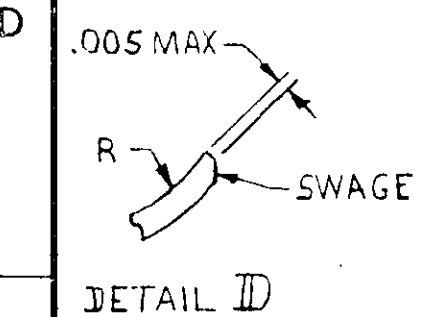


© COPYRIGHT 1976 BY AMP INCORPORATED, HARRISBURG, PA.
 ALL INTERNATIONAL RIGHTS RESERVED. AMP INCORPORATED PRODUCTS
 COVERED BY U. S. AND FOREIGN PATENTS AND/OR PATENTS PENDING.

LOC CM DIST 53

REVISIONS						
P	F	ZONE	LTR	DESCRIPTION	DATE	APPROVED
✓	✓		D	REDRAWN & UPDATED M-6457	6-5-81	MSF/D.H.
✓			E	REVISED AG 57	10/21/83	Whelan S. James
✓			E1	RESTORATION	4-23-85	SS /db
			F	REV PER EC 0730-3607-91	1-6-94	RV /RS



PRE-TIN	.012 PHOS BRZ	350919-3
FINISH	MATERIAL	PART NO

UNLESS OTHERWISE SPECIFIED DIMENSIONS ARE IN INCHES. TOLERANCES ON: DECIMALS ± .015 ANGLES ±	CONTRACT NO	AMP AMP INCORPORATED Harrisburg, Pa.		
	DR M. Fcher 4-22-81			
	CHK D.S. Heide 6/9/81	NAME	SOCKET, (LOOSE PIECE) UNIVERSAL MATE-N-LOK	
	APPD R. Polchuk 6-10-81	SIZE	CODE IDENT NO	DRAWING NO
WIRE RANGE 18-14 AWG	DSGN APPD	B	00779	350919
INSULATION RANGE .200 DIA MAX	OTHER APPD	SCALE 4-1	SHEET	